



SE Series

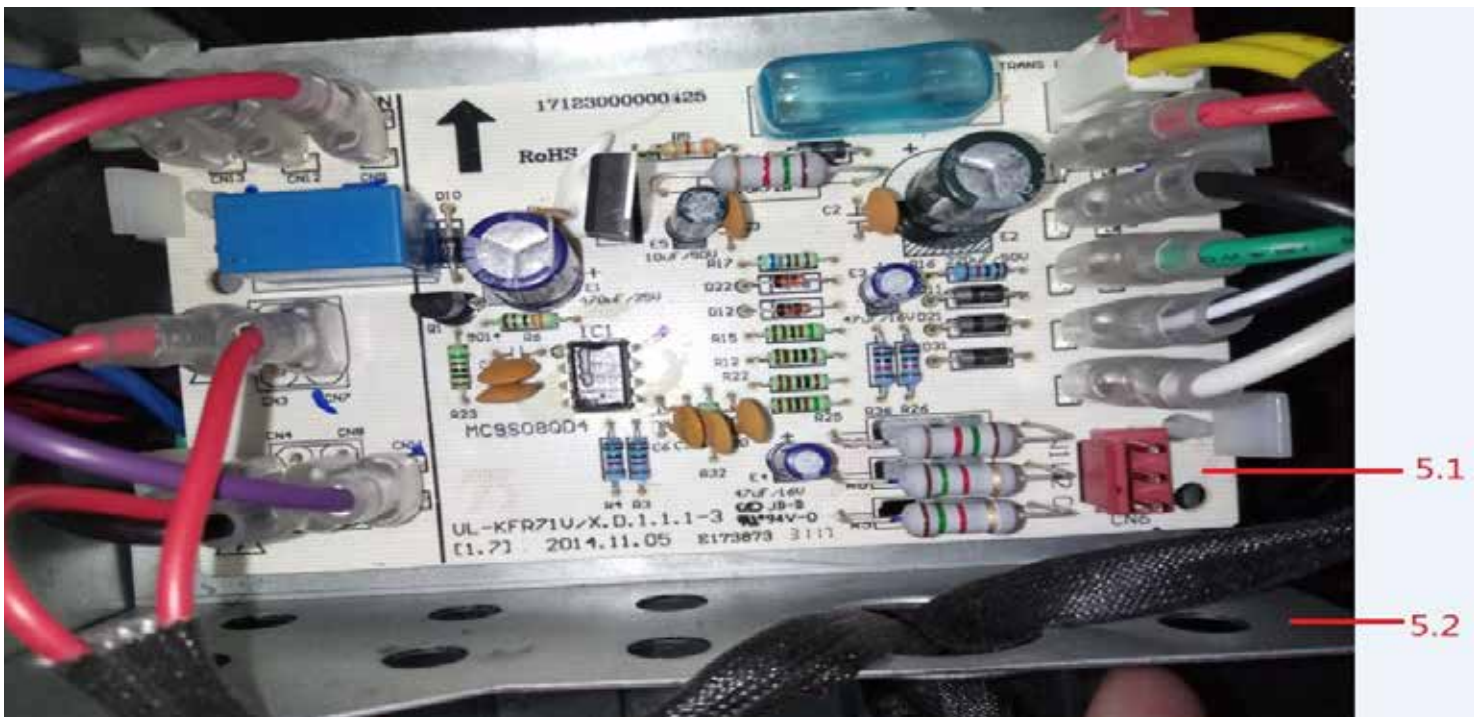
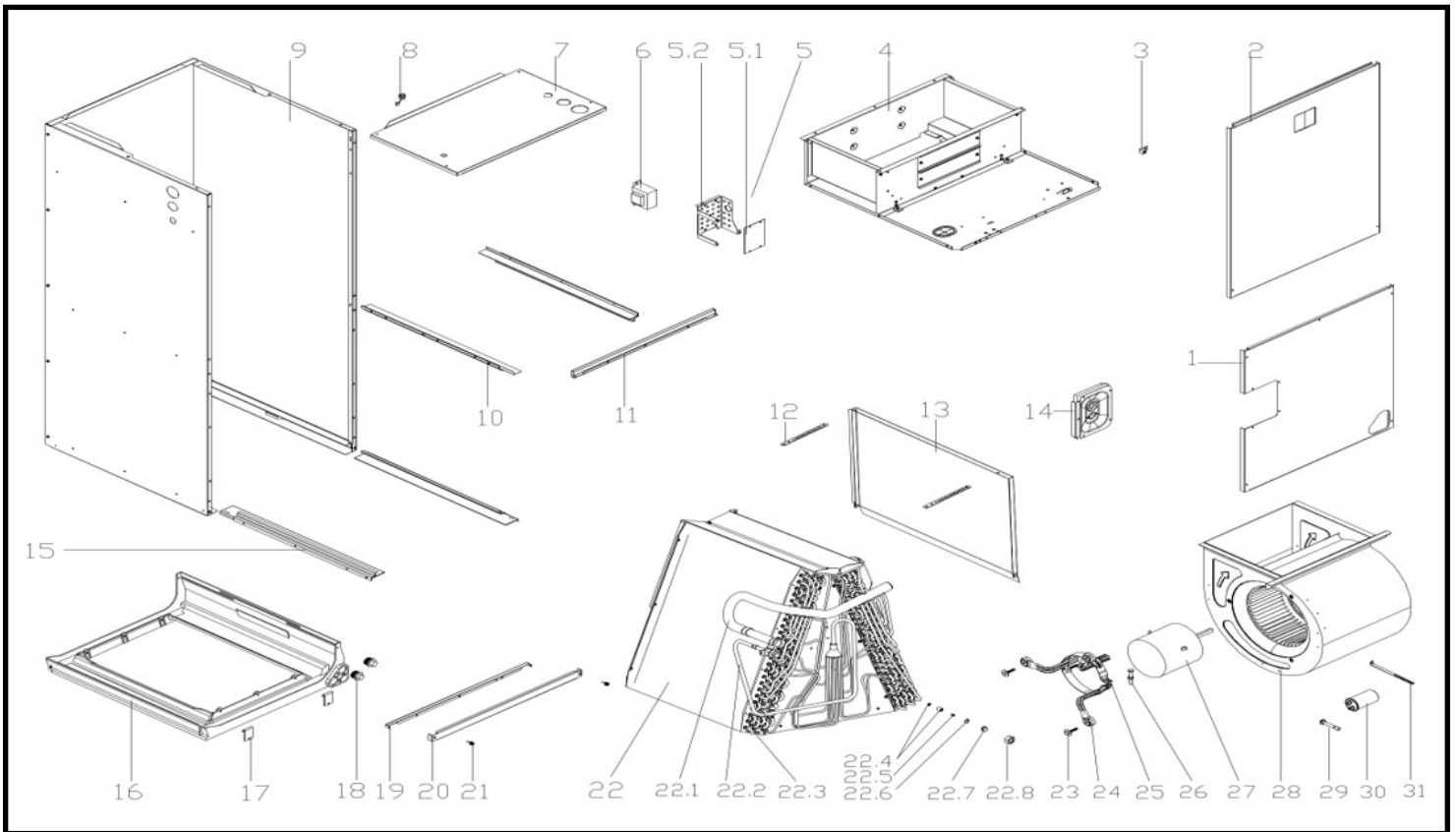
Multi-Position Air Handler

PSC Motor

AMP60S1A

Parts List





| EX_ID | Spare Parts Code | Part Name(EN) | Qty. | Recommend store spare parts |
|-------|------------------|------------------------------------|------|-----------------------------|
| 1 | 12223000010749 | Side panel assembly | 1 | |
| 2 | 12223000002187 | Side panel assembly | 1 | |
| 3 | 11201708000008 | Wiring Terminal | 1 | |
| 4 | 12223000002127 | Air channel ass'y | 1 | YES |
| 5 | 17223000009203 | E-part box assembly | 1 | |
| 5.1 | 17123000009757 | Indoor unit main control board | 1 | YES |
| 5.2 | 12223000002167 | Electric installation board | 1 | |
| 6 | 11203103000141 | Linear Transformer | 1 | YES |
| 7 | 12223000002215 | Side panel assembly | 1 | |
| 8 | 12100304000011 | Clamp | 1 | |
| 9 | 12223000002361 | Base assembly | 1 | |
| 10 | 12223000001940 | Drainage pan supporting board | 2 | |
| 11 | 12223000010767 | Supporter assembly | 1 | |
| 12 | 12223000010756 | Drainage pan clamp | 2 | |
| 13 | 12223000001210 | Drainage pan | 1 | YES |
| 14 | 12223000010789 | Cover plate ass'y | 1 | |
| 15 | 12223000010759 | Drainage pan supporting board | 2 | |
| 16 | 12123000000110 | Drain pan ass'y | 1 | YES |
| 17 | 12223000000028 | Fixing board of water collector | 2 | |
| 18 | 15500402000023 | seal plug | 2 | |
| 19 | 12223000002101 | Supporting bar | 1 | |
| 20 | 12223000002000 | Cover board | 1 | |
| 21 | 11301230000002 | Screw | 2 | |
| 22 | 15823000A04076 | Evaporator assembly | 1 | YES |
| 22.1 | 15223000A00021 | Evaporator output pipe assembly | 1 | |
| 22.2 | 15423000A01115 | Evaporator input pipe assembly | 1 | |
| 22.3 | 15823000004724 | Evaporator | 2 | |
| 22.4 | 15500210000968 | Throttle | 1 | YES |
| 22.5 | 15500220000013 | Piston | 1 | YES |
| 22.6 | 12100901000010 | Sealing ring | 1 | YES |
| 22.7 | 15500302000014 | Flange joint | 1 | YES |
| 22.8 | 15500402000185 | Nut | 1 | |
| 23 | 11301002000673 | Hexagon head bolt and plain washer | 3 | |
| 24 | 12223000001932 | Supporter subassembly of fan motor | 3 | |
| 25 | 12223000001992 | Supporter of fan motor | 1 | |
| 27 | 11002012001220 | Single phase asynchronous motor | 1 | YES |
| 28 | 12200101000029 | Fan Assembly | 1 | YES |
| 29 | 15500302000006 | Attachment-flange connection pipe | 1 | YES |
| 30 | 17400103000149 | Capacitor of compressor | 1 | |
| 31 | 12223000002177 | Drainage pan clamp | 1 | |

Due to ongoing product improvements, specifications and dimensions are subject to change and correction without notice or incurring obligations. Determining the application and suitability for use of any product is the responsibility of the installer. Additionally, the installer is responsible for verifying dimensional data on the actual product prior to beginning any installation preparations.

Incentive and rebate programs have precise requirements as to product performance and certification. All products meet applicable regulations in effect on date of manufacture; however, certifications are not necessarily granted for the life of a product. Therefore, it is the responsibility of the applicant to determine whether a specific model qualifies for these incentive/rebate programs.

Comfort-Cire®  **Century**